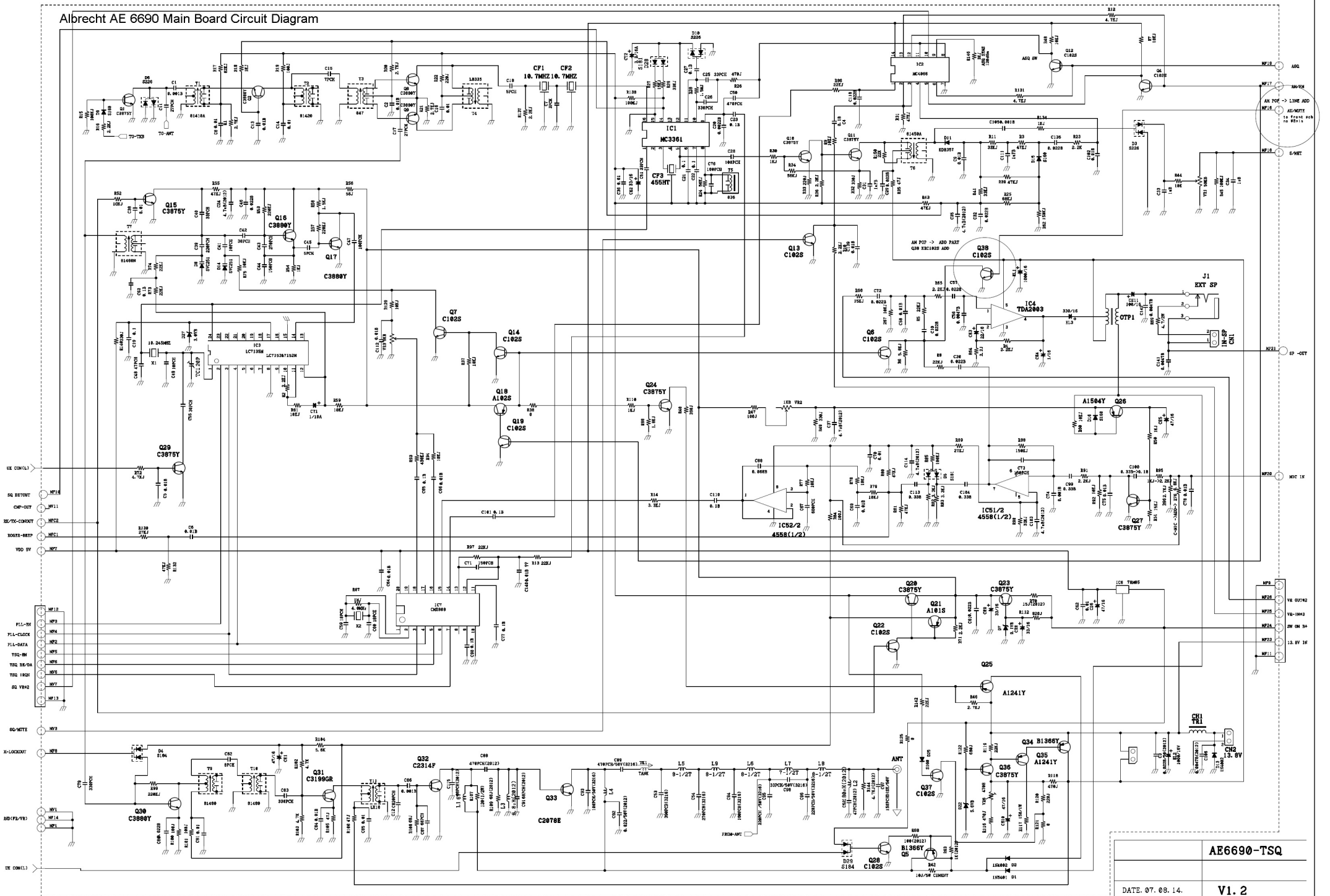


# Albrecht AE 6690 Main Board Circuit Diagram



AE6690-TSQ

DATE: 07.08.14. V1.2